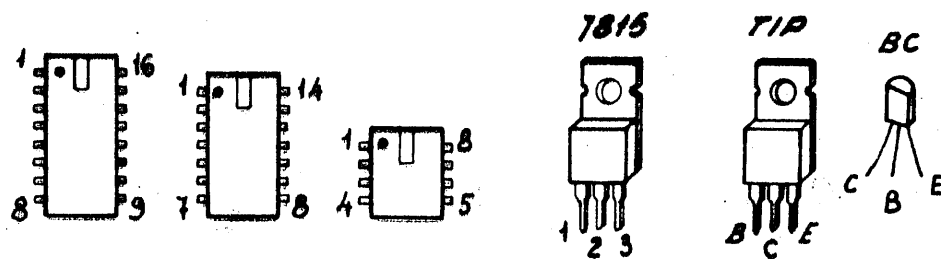
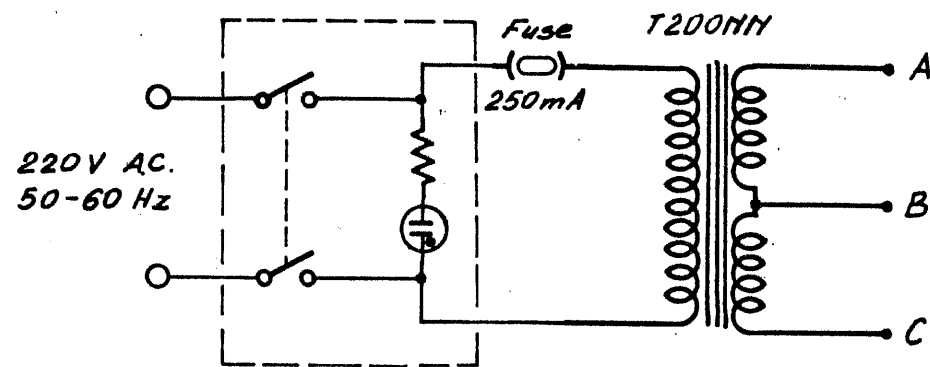
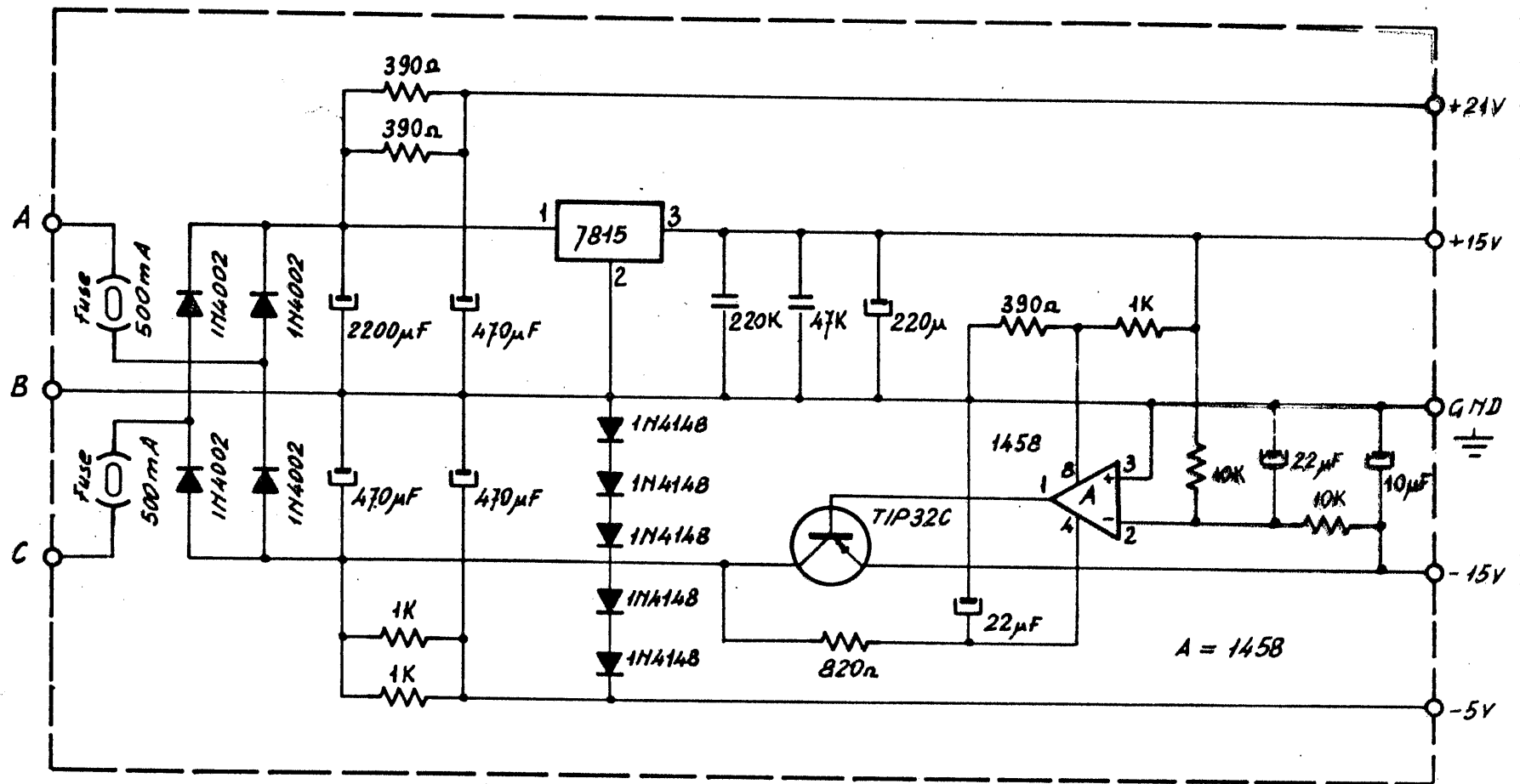
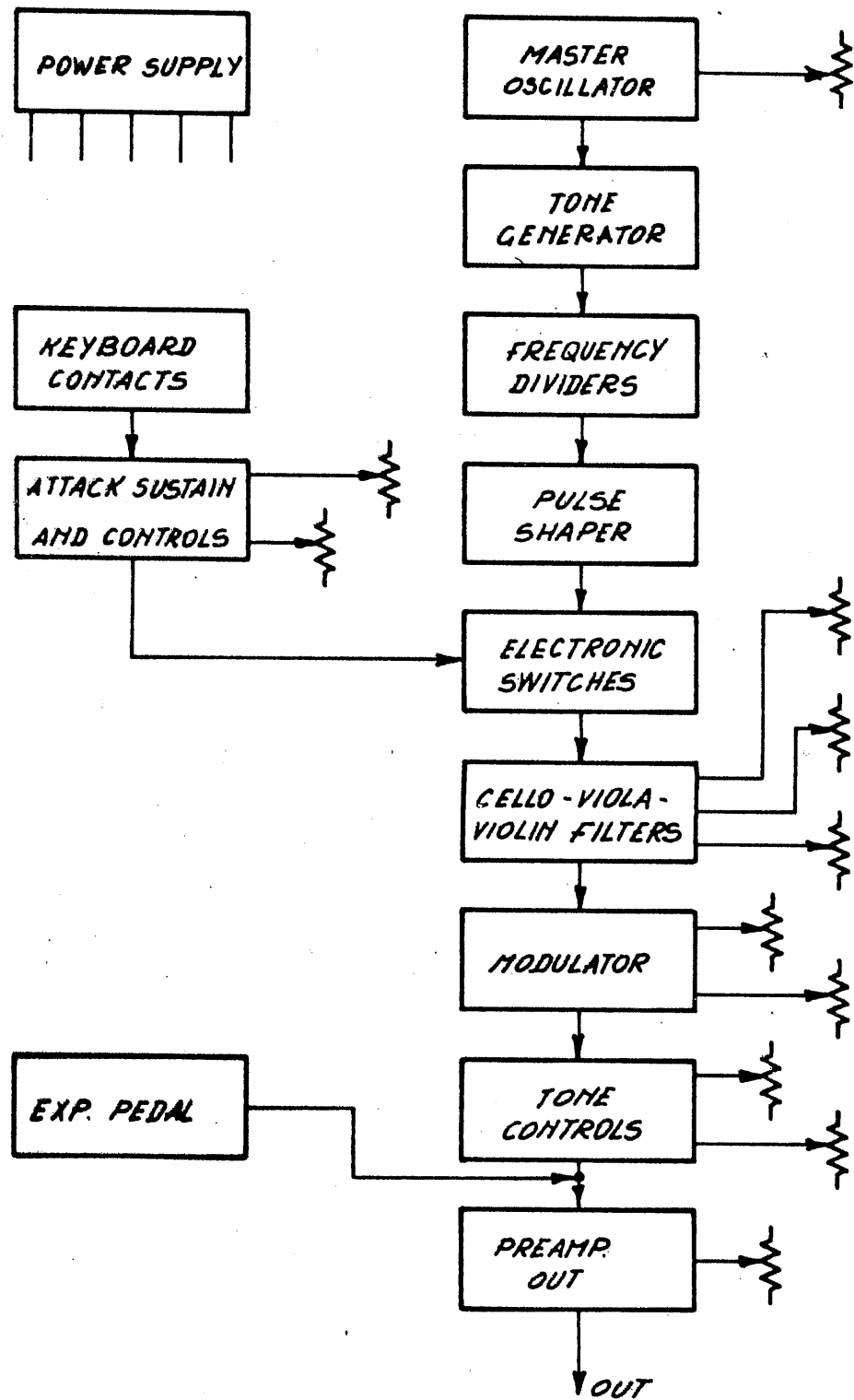
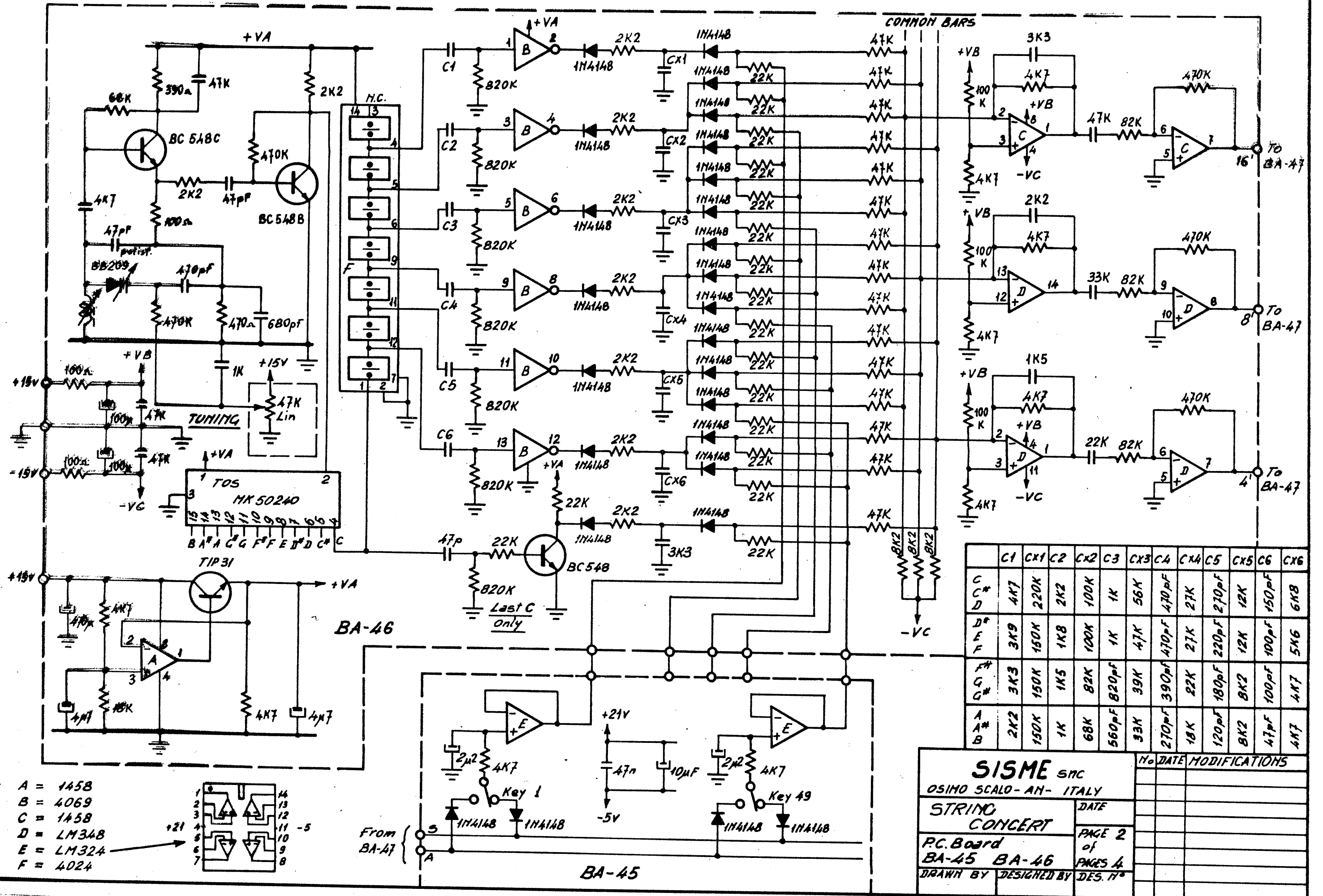


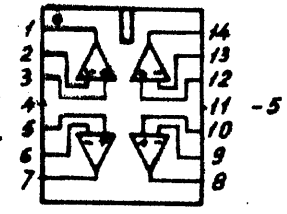
BLOCK DIAGRAM



SISME snc OSIMO SCALO - AN - ITALY STRING CONCERT		No.	DATE	MODIFICATIONS
		DATE		
PC Board BA-4B		PAGE 1		
		of PAGES 4		
DRAWN BY	DESIGNED BY	DES. No.		



- A = 1458
- B = 4069
- C = 1458
- D = LM348
- E = LM324
- F = 4024



	C1	CX1	C2	CX2	C3	CX3	CA	CX4	C5	CX5	C6	CX6
C	47K	220K	2K2	100K	1K	56K	470pF	27K	270pF	12K	150pF	6K8
C*	47K	220K	2K2	100K	1K	56K	470pF	27K	270pF	12K	150pF	6K8
D*	3K9	150K	1K8	100K	1K	47K	470pF	27K	220pF	12K	100pF	5K6
E*	3K3	150K	1K5	82K	820pF	39K	390pF	22K	180pF	8K2	100pF	4K7
F*	2K2	150K	1K	68K	560pF	33K	270pF	18K	120pF	8K2	47pF	4K7

SISME SMC
OSIMO SCALO - AN - ITALY

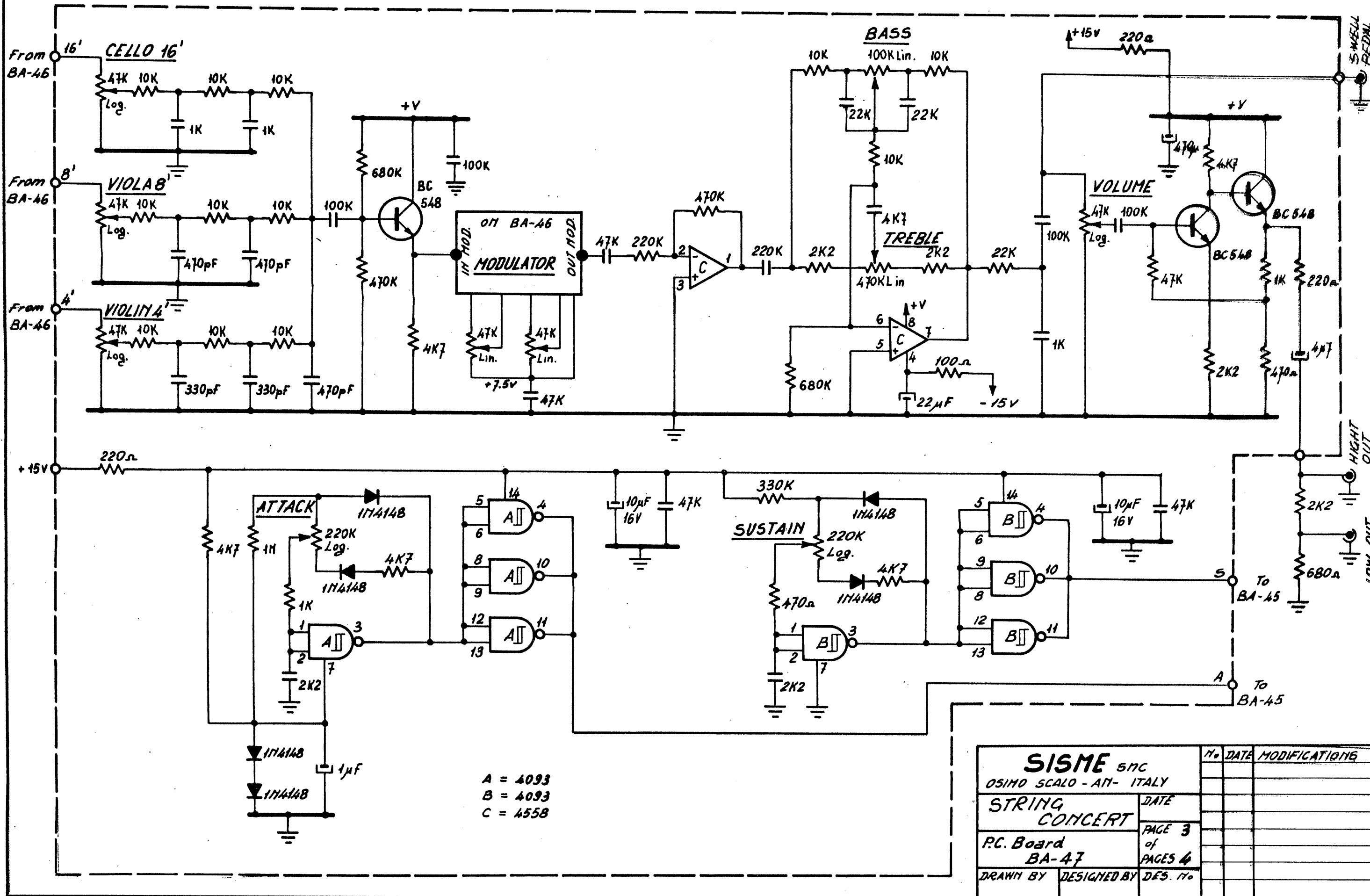
STRING CONCERT

PC Board
BA-45 BA-46

DRAWN BY DESIGNED BY DES. N°

No	DATE	MODIFICATIONS

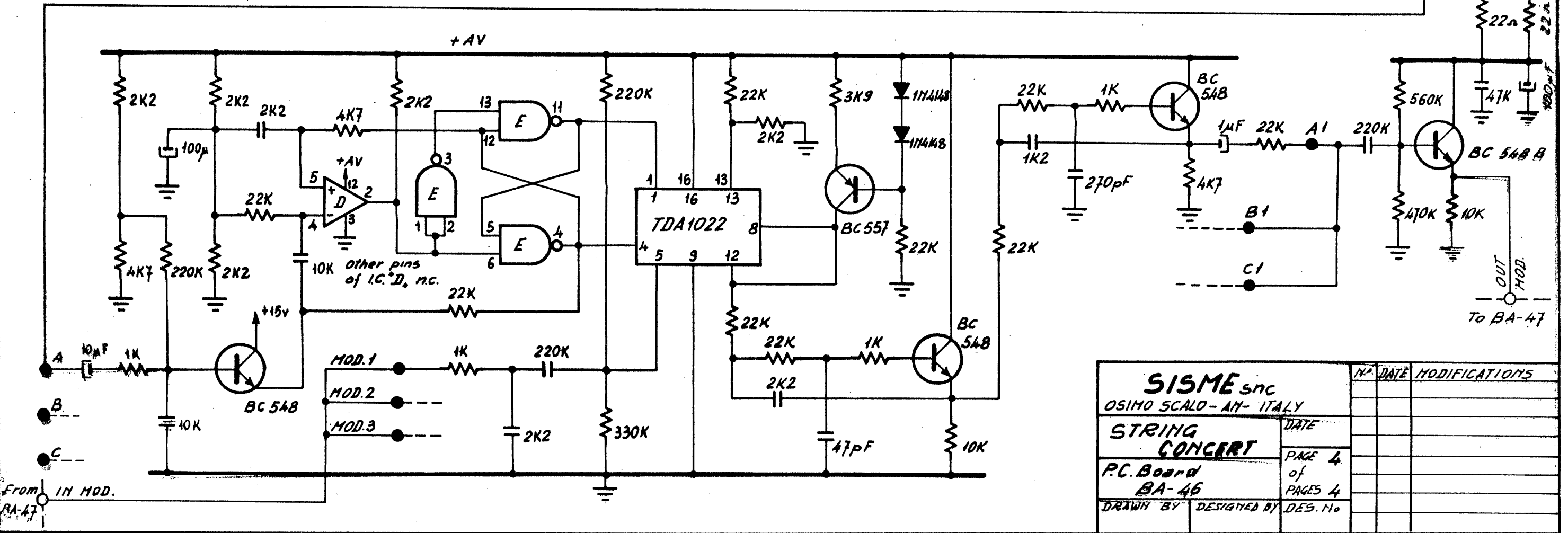
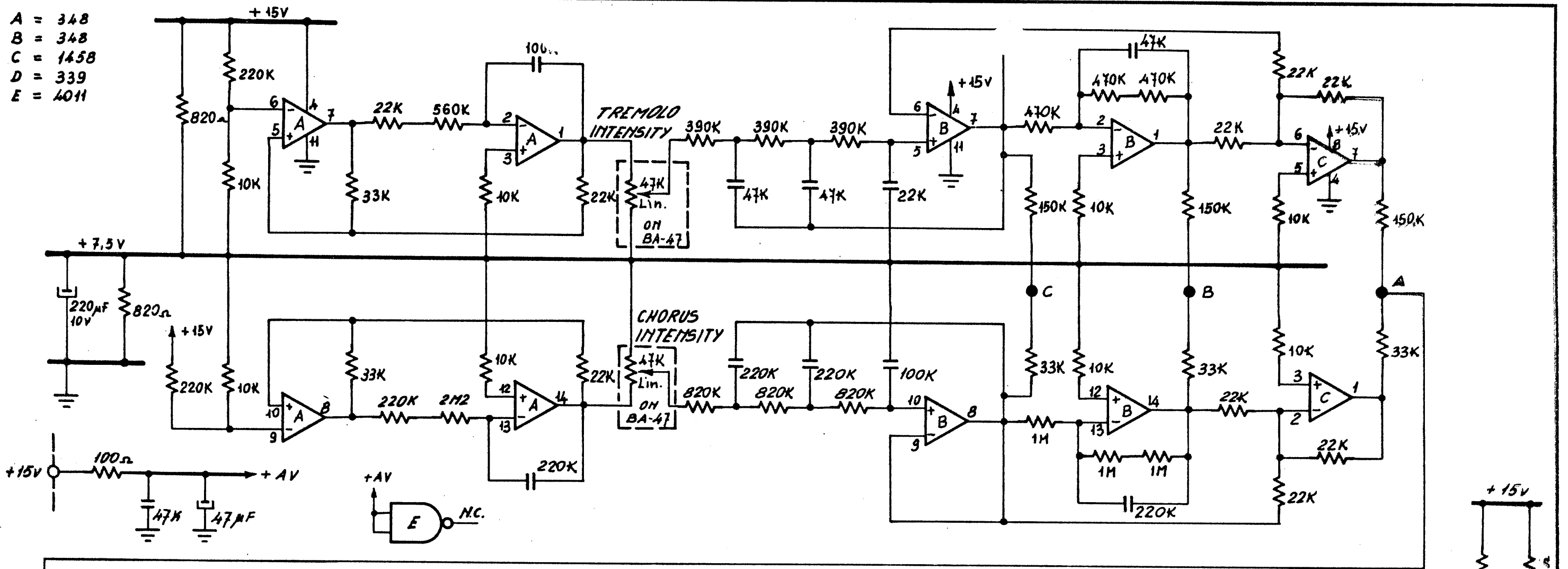
DATE
PAGE 2
of
PAGES 4
DES. N°



A = 4093
 B = 4093
 C = 4558

SISME snc		No.	DATE	MODIFICATIONS
OSIMO SCALO - AN - ITALY				
STRING CONCERT			DATE	
P.C. Board BA-47			PAGE 3 of PAGES 4	
DRAWN BY	DESIGNED BY	DES. No.		

A = 348
 B = 348
 C = 145B
 D = 339
 E = 4011



SISME snc		N°	DATE	MODIFICAZIONI
OSIMO SCALO - AN - ITALY				
STRING CONCERT		DATE		
P.C. Board		PAGE 4		
BA-46		of		
		PAGES 4		
DRAWN BY	DESIGNED BY	DES. No		